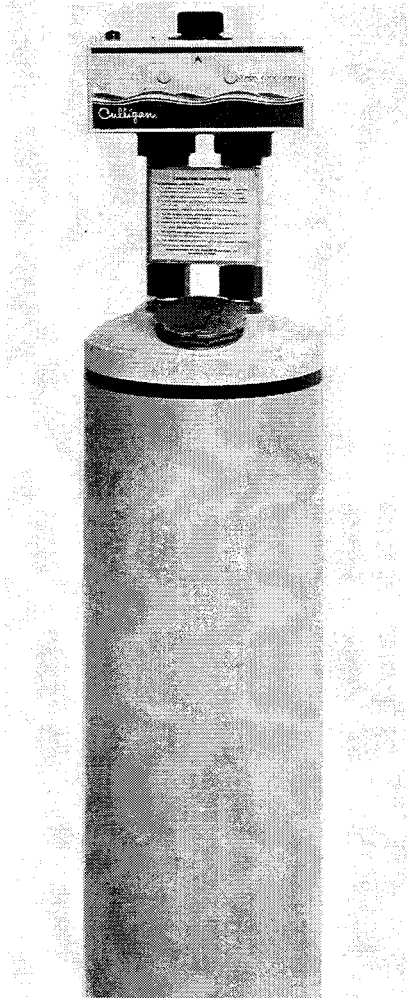


# CUL-BROOK™ WATER SOFTENER & WATER FILTER PARTS LIST

## MODELS FROM 1991



### Table of Contents

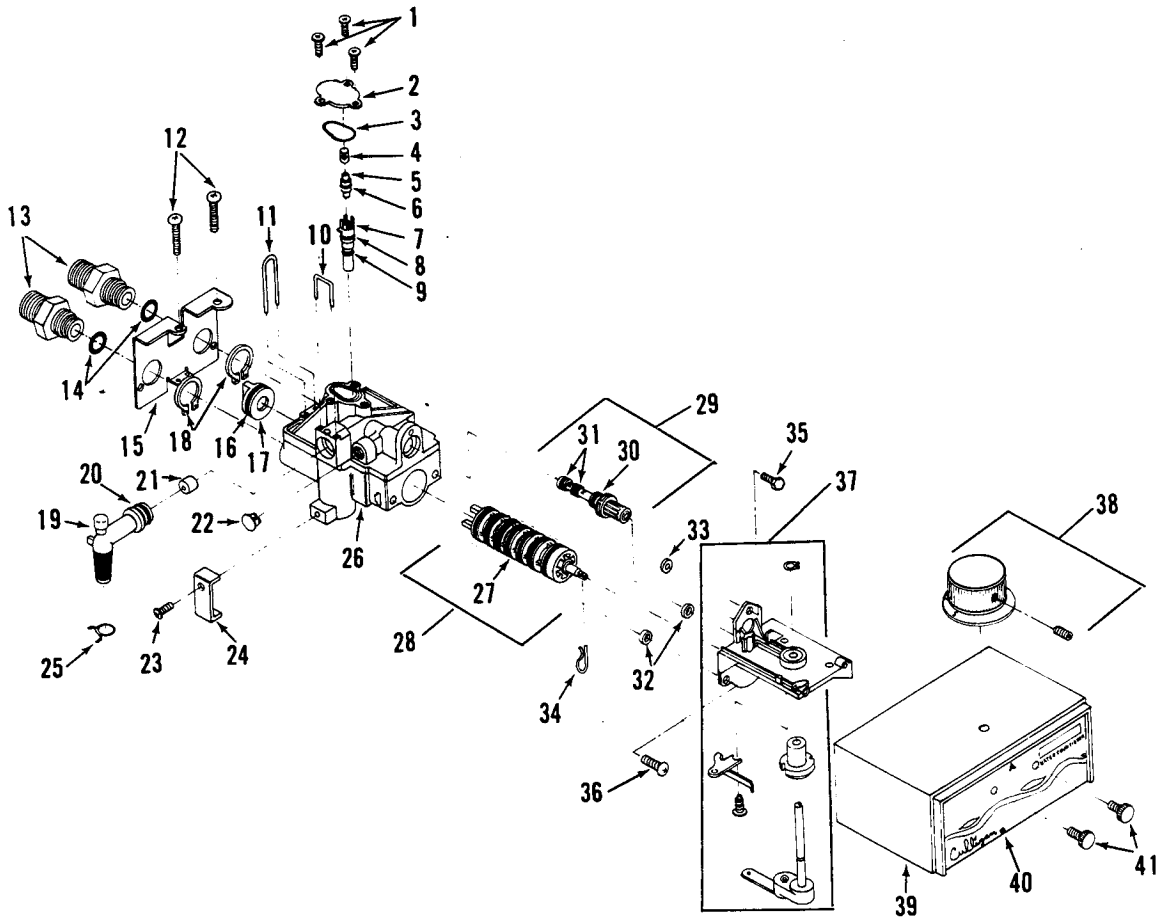
	Page
Control Valve Parts .....	2
Tank Parts .....	3-4

CULLIGAN INTERNATIONAL COMPANY/NORTHBROOK, IL & SUBSIDIARIES OR DIVISIONS  
CULLIGAN USA DIVISION/NORTHBROOK, IL 60062 — SAN BERNARDINO, CA 92402  
CULLIGAN ITALIANA SpA/BOLOGNA, ITALY  
CULLIGAN OF CANADA, LTD./MISSISSAUGA, ONTARIO, CANADA L5K 1A5  
CULLIGAN ESPANA S.A./08191 RUBI (BARCELONA), SPAIN



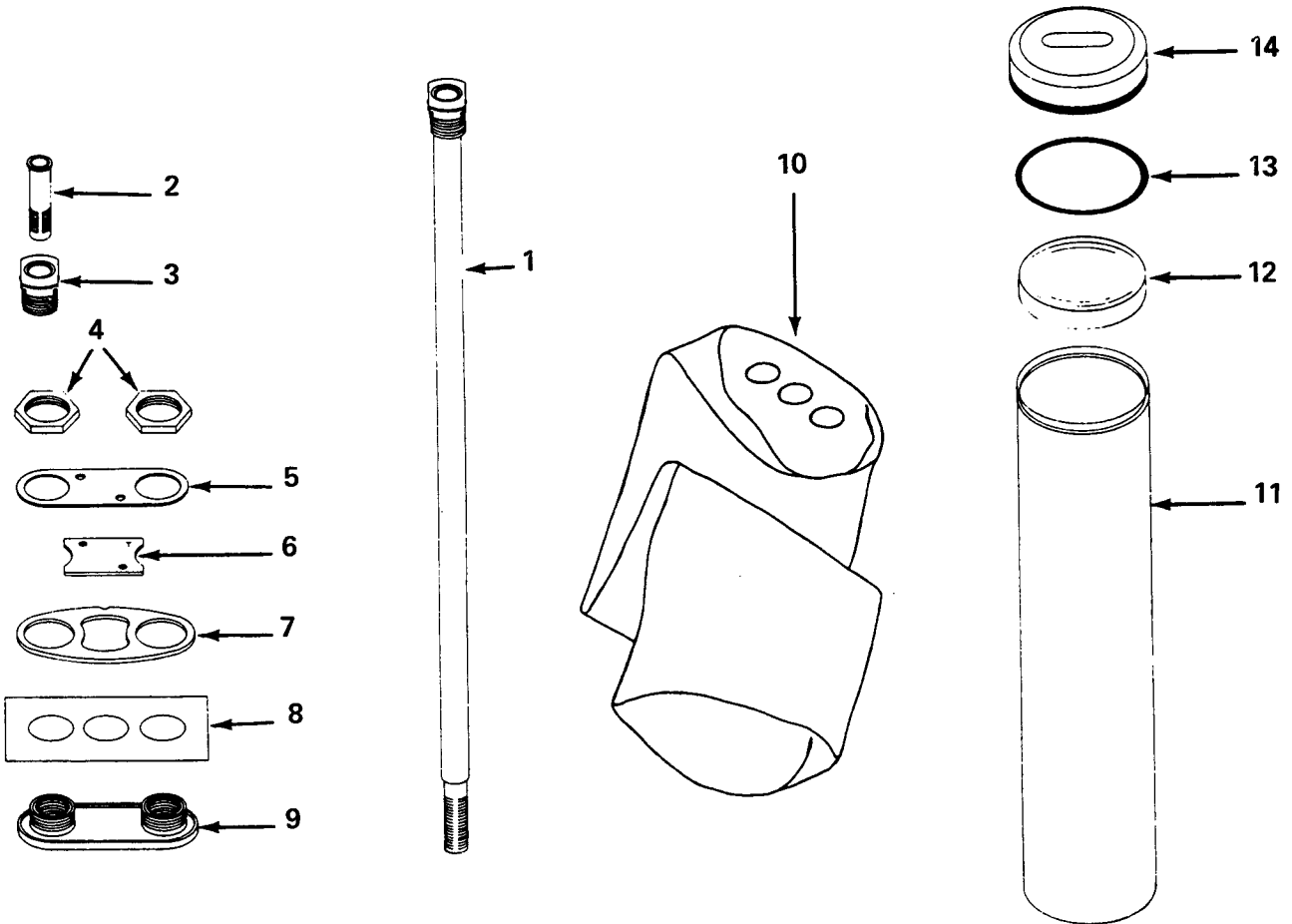
Printed in USA

# Control Valve Parts List



Item No.	Part No.	Description	Item No.	Part No.	Description
1	01-0006-35 00-4486-87	Replacement Valve Screw, SS, 8-32 x 1/2" Phil. Pan. Hd.		00-3316-37 00-4014-31	Flow Restrictor #4, 12" Cullar Flow Restrictor #X, 9"
2	00-4010-22	Eductor Port Cover			Filtr-Cleer®, 9" Cullisorb®, 9" Cullneu®
3	00-4457-97	Gasket	22	00-4464-75	Plug
4	P0-4452-69	Screen, Eductor/MP 10	23	00-4440-30	Screw, SS, 18-8 #10, 9 x 7/16"
5	00-4460-38 00-4460-39	Eductor Nozzle, Blue Eductor Nozzle, White	24	00-4012-21	U-clamp
6	P0-3084-38	O-ring/MP 10	25	00-4517-01	Drain Line Clamp
7	00-4012-48	Eductor Body (with O-rings)	26	00-4498-65	Valve Body
8	00-3084-37	O-ring	27	P0-4449-14	O-ring / MP 10
9	P0-3084-38	O-ring/MP 10	28	00-4464-88	Seal Pack Assembly
10	00-4473-87	Retainer, Drain Elbow	29	01-0012-58	Eductor Sleeve Assembly
11	00-4451-28	Retainer, Rear Body	30	P0-3084-07	O-ring / MP 25
12	P0-3183-83	Screw, SS, 1/4"-20 x 7/8" Phil. Rd. Hd./MP 10	31	P0-4479-86	O-ring / MP 25
13	00-4421-28	Plumbing Adapter	32	00-4038-42	Spacer
14	P0-3044-11	O-ring/MP 25	33	00-4038-41	Spacer
15	00-4414-00	Bracket	34	00-4452-85	Retaining Pin
16	P0-4449-14	O-ring/MP 10	35	00-4468-99	Screw, 8-32 x 1/2", Hex Head
17	00-4481-26	Rear Plug & O-ring	36	P0-3183-83	Screw, SS, 1/4"-20 x 7/8" Phil. Rd. Hd. / MP 10
18	00-3307-82	Retainer Ring	37	00-4038-28	Bracket Assembly
19	00-4468-35	Drain Elbow Assm.	38	00-4038-37	Knob with Set Screw
20	P0-4402-68	O-ring/MP 10	39	00-4038-39	Front Cover
21	P0-3316-35	Flow Restrictor #2, 9" Softener/ MP 10	40	00-4045-48	Front Cover Decal
	P0-3316-36	Flow Restrictor #3, 12" Softener, 9" Cullar® / MP 10	41	00-4460-11	Front Cover Screw
			*	00-4038-38	Small Parts Kit
			*	00-4430-55	Decal, Filter Model

# Tank Assembly Parts (Cullar® and Filtr-Clear® Filters only)



Item No.	Part No.	Description	Item No.	Part No.	Description
*	00-4447-14	Tank Assembly, 9-in. Cullar Filter, complete, less Cullar Media	6	00-3314-65	Spacer Plate
‡	00-4477-09	Tank Assembly, 12-in. Cullar Filter, complete, less Cullar Media	†7	00-3232-06	Gasket
*	00-4046-91	Tank Assembly, 9-in. Filtr-Clear, complete, less Media	†8	00-3232-05	Barrier
‡	00-4417-14	Tank Assembly, 9-in. Replacement, less Media, Manifolds & Coupling	9	01-0007-39	Yoke
*	00-4448-63	Tank Assembly, 12-in. Replacement, less Media, Manifolds & Coupling	†10	00-2202-36	Tank Liner, 9-inch
†1	00-2325-90	Outlet Manifold		00-2202-22	Tank Liner, 12-inch
2	P0-2320-07	Inlet Manifold (Wide Slot) / MP 25	11	00-4445-83	Tank Well, 9-inch
3	00-3314-68	Inlet Coupling		00-4446-44	Tank Well, 12-inch
4	00-2206-01	Nut (2 required)	12	00-4445-85	Crush Pad, 9-inch
5	00-3205-05	Cover Plate		00-4446-46	Crush Pad, 12-inch
			13	00-4419-97	Seal Ring, 9-inch
				00-4446-45	Seal Ring, 12-inch
			14	00-4445-82	Well Cover, 9-inch
				00-4446-43	Well Cover, 12-inch
			*	00-4408-35	Brown Band (order by foot)

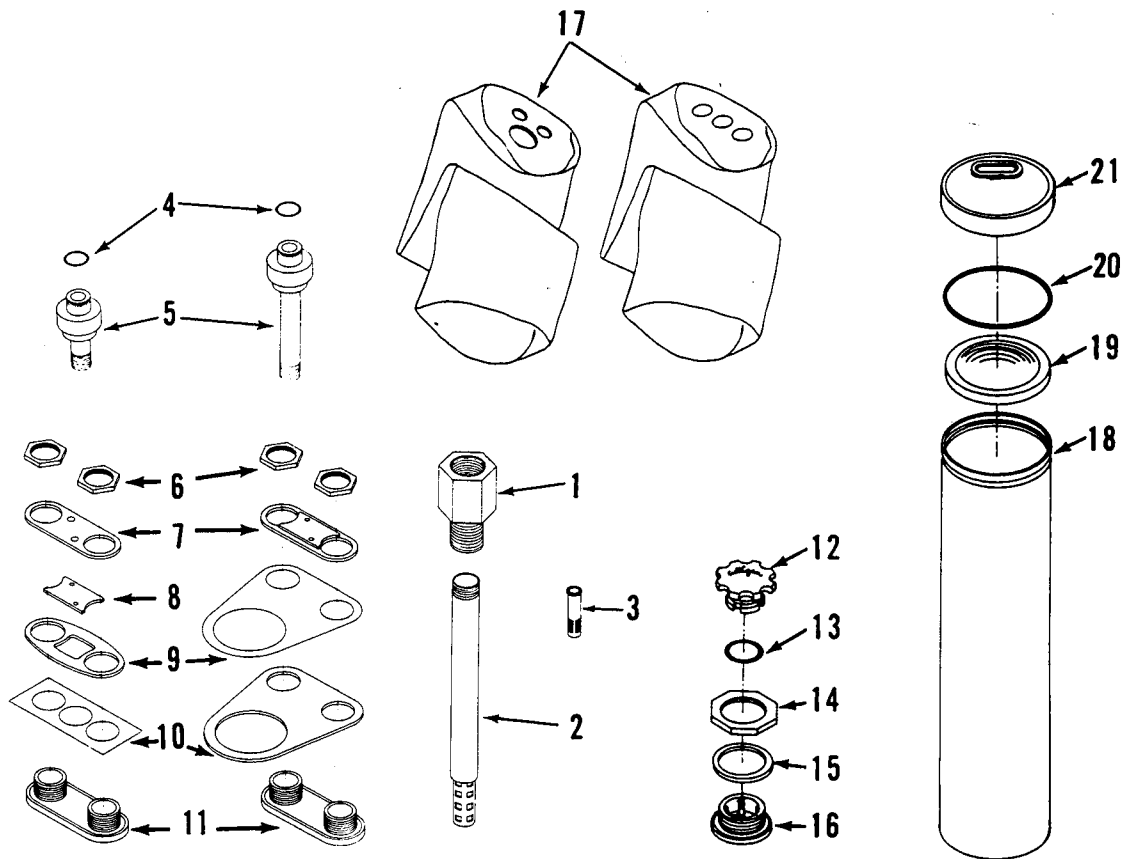
\* Not Illustrated

† Recommend Spare Parts

‡ Obsolete, No Replacement

MP denotes a Multi-Pack quantity.

# Tank Assembly Parts (Softeners, Cullneu® and Cullisorb® Filters only)



Item No.	Part No.	Description	Item No.	Part No.	Description
*	<b>00-4038-23</b>	<b>Tank Assembly, 9"</b>	11	01-0007-39	Yoke
*	<b>00-4046-85</b>	<b>Tank Assembly, 12"</b>	12	<b>00-3099-01</b>	<b>Quick-Twist Cap, Beige</b>
*	<i>00-4046-91</i>	<i>Tank Assembly, 9"</i>	13	<b>00-4448-22</b>	<b>O-ring, Quick-Twist Cap</b>
*	<i>00-4046-92</i>	<i>Tank Assembly, 12"</i>	14	<b>00-4011-58</b>	<b>Nut, Tank Flange</b>
<b>1</b>	<b>00-4038-45</b>	<b>Tank Adapter, with Inlet Manifold</b>	15	<b>00-4011-60</b>	<b>Washer</b>
	<i>00-4038-25</i>	<i>Tank Adapter</i>	16	<b>00-4033-12</b>	<b>Flange, Fill Port</b>
<b>2</b>	00-4038-44	Tank Adapter with Outlet Manifold	17	<b>01-0011-02</b>	<b>Tank Liner, 9"</b>
<b>3</b>	<i>P0-2320-07</i>	<i>Inlet Manifold (Wide Slot)/MP 25</i>		<b>01-0011-03</b>	<b>Tank Liner, 12"</b>
<b>4</b>	P0-3044-11	O-ring/MP 25		<i>00-2202-36</i>	<i>Tank Liner, 9"</i>
<b>5</b>	<b>00-4038-35</b>	<b>Valve Adapter, 5"</b>	‡	<i>00-2202-32</i>	<i>Tank Liner, 12"</i>
	<i>00-4045-92</i>	<i>Valve Adapter, 2"</i>	18	00-4445-83	Tank Well, 9"
<b>6</b>	00-2206-01	Nut (2 required)		00-4446-44	Tank Well, 12"
<b>7</b>	<b>01-0010-97</b>	<b>Cover Plate</b>	19	00-4445-85	Crush Pad, 9"
	<i>00-3205-05</i>	<i>Cover Plate</i>		00-4446-46	Crush Pad, 12"
<b>8</b>	<i>00-3314-64</i>	<i>Spacer Plate</i>	20	00-4419-97	Seal Ring, 9"
<b>9</b>	<b>01-0010-99</b>	<b>Gasket, 9"</b>		00-4446-45	Seal Ring, 12"
	<b>01-0011-01</b>	<b>Gasket 12"</b>	21	<b>00-4011-45</b>	<b>Well Cover, 9"</b>
	<i>00-3232-06</i>	<i>Gasket</i>		<b>00-4011-63</b>	<b>Well Cover, 12"</b>
<b>10</b>	<b>01-0010-98</b>	<b>Barrier, 9"</b>		<i>00-4445-82</i>	<i>Well Cover, 9"</i>
	<b>01-0011-00</b>	<b>Barrier, 12"</b>		<i>00-4446-43</i>	<i>Well Cover, 12"</i>
	<i>00-3232-05</i>	<i>Barrier</i>	*	01-0048-70	Gold Band (order by foot)

Regular Type — Common to all units

**Bold Type** — Used on Cul-Brook™ Softeners, Cullisorb®, and Cullneu®

*Italic Type* — Used on Cullar® and Filtr-Clear® conditioners

\* Not Illustrated

‡ Obsolete, No Replacement